

USE: HFT – HFTR - HIN MKII

PRODUCT SUMMARY



Design: Mounting base
Material: Aluminum or Steel (galvanized)
or Stainless Steel
Used for: HFT Series – HIN MKII 150

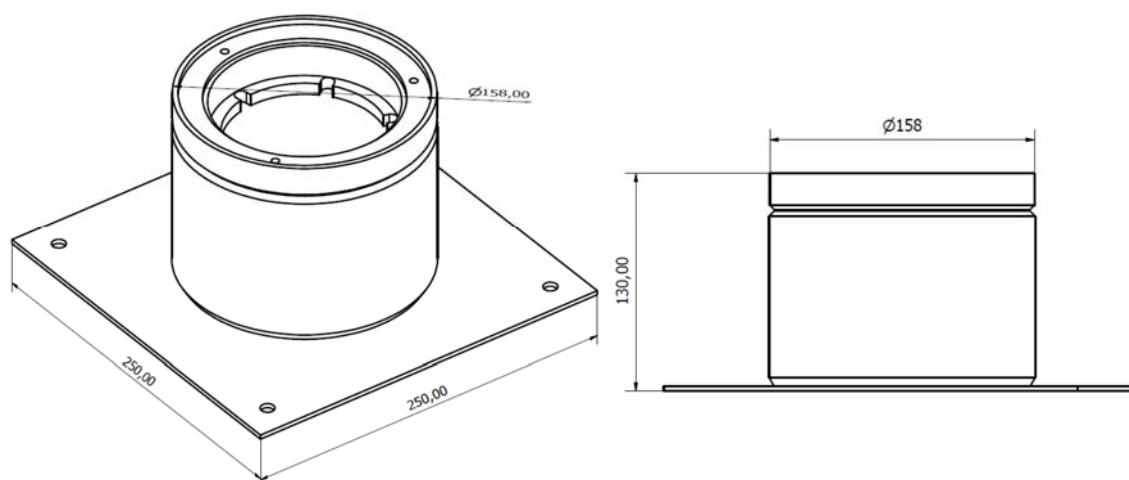
Diameter: 158mm
Installation: To be mounted into concrete

Option: Back or side cable entry
With or without base plate
Special height on demand

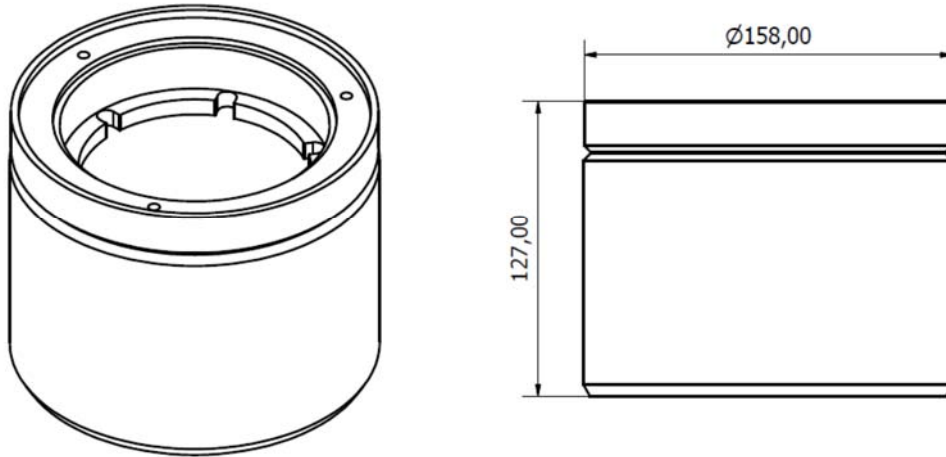
DESCRIPTION:

This mounting base is used for mounting 150mm inset LED lights. This base has to be mounted into concrete. Available with back or side cable entry. Many materials and dimensions available. This product can be produced with special dimensions on your request.

DRAWING WITH BASEPLATE:



DRAWING WITHOUT BASEPLATE:



TECHNICAL DESCRIPTION:

Mechanical characteristics:

Body material:	Aluminum Galvanized Steel Stainless Steel
Diameter:	158mm (external ring)
Height:	130mm
Weight:	4.5 kg (galvanized steel)
Cable entry:	Back or side

ORDERING CODE:

Hxx-BASE 150-**GS**-**ST**-**B**

Type	Material	Base plate	Cable entry
Hxx-Base	- GS : Galvanized steel - AL : Aluminum - IN : Stainless steel	- ST : With base plate - LI : Without base plate	- S : Side cable entry - B : Back cable entry

The descriptions, photometric measurements and features contained in this publication are given for information only and do not constitute an engagement for our society, which reserves the right to change them without prior notification.

