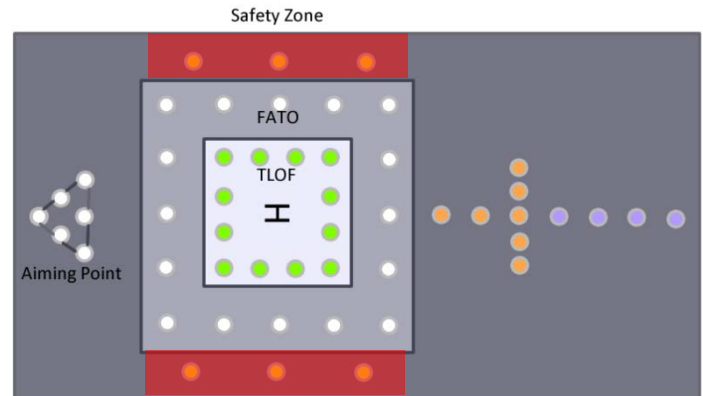


SWISS  MADE**USE:** FATO Floodlight – Helipad lighting

PRODUCT SUMMARY



Design: Floodlight
Material: Aluminum
IP Rating: IP 66
Light Color: White
iControl Ready: Optional

Power supply: 48-60 VDC / 110-230 VAC
Power: 45 Watts (500W equivalent)
Standards: ICAO Annex 14, Vol II
Brightness ctrl.: 10%-30%-100% (icontrol)
LED Lifetime: > 80'000 hours

DESCRIPTION:

The FloodLed 4400 has an integrated power supply (110-230VAC or 48 to 60 VDC).

Lighting the surface with a FloodLed will help the pilot to obtain the right information about state and quality of surface. It will be easier to detect obstacles or objects present on the surface. This light will help to detect snow, sand, or other possible disagreements for pilots.

Our FloodLed 4400 is especially built to give a good reading of the quality of the terrain. The powerful narrow beam light will bring out details on the surface. The concept of the FloodLed 4400 guarantees the pilot not to be disturbed by the light..

Optionally this light can be used with the iControl system. The electronic system integrated in the light can detect a failure and communicate with the iControl. For example: you can configure to receive an email if any light has a problem. You are able to watch the status and failure information of each light directly from a dedicated webpage. It is also possible to switch ON and regulate the system from an Iphone or Android mobile phone. And much more...

iControl makes the installation, flight, and maintenance easier and safer.

Visit www.aerolighting.ch/icontrol for more information about iControl



TECHNICAL DESCRIPTION:
Mechanical characteristics:

Body material:	Aluminum powder thermo coating aviation yellow Mineral tempered glass
Length:	290 mm
Height:	175 mm
Weight:	5.2 kg
Temperature range:	-35° to +70°C
Protection Class:	IP66
Water / Humidity: Insulation	WatBar – Physical insulation between the “connection room” and the light
Adjustment:	Elevation: +/- 20° Orientation: +/- 360°

Optical characteristics:

Technology:	High Power LED
Light source:	Aerolighting LED engine
Color:	White
Intensity (White):	More than 20'000 cd in the center beam
Horizontal output:	25°
Intensity level:	100% - 30% - 10% (iControl)
LEDs Lifespan:	>80'000 hours

Electrical characteristics:

Supply Voltage:	48 to 60 Volts DC or 110 to 240 Volts AC 50/60hz or 6.6A (CCR)
Power:	45 Watts
Brightness regulation (visible):	Intelligent control system: iControl bus -> more information LBR II
Type of cable:	4x 1.5mm ²

ORDERING CODE:

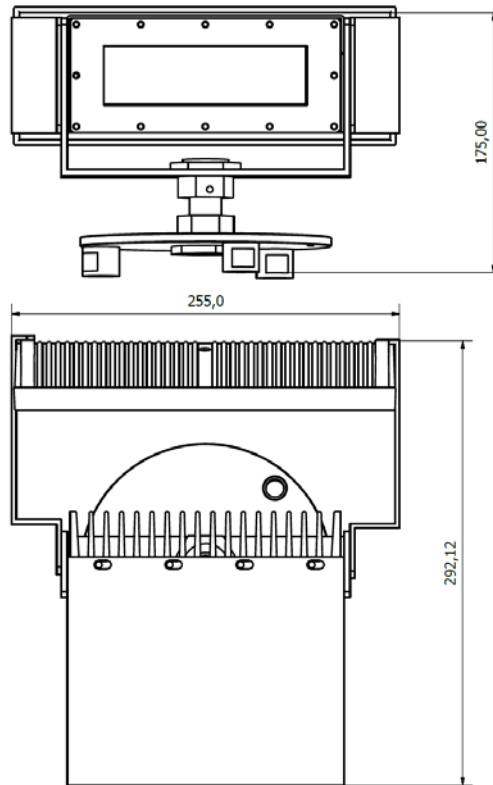
FloodLed 4400-**48**-**N**

Type	Power supply	iControl
FloodLed 4400	- 48 : 48 to 60 VDC - 230 : 110 to 230 VAC	- I : iControl ready - N :NO iControl features

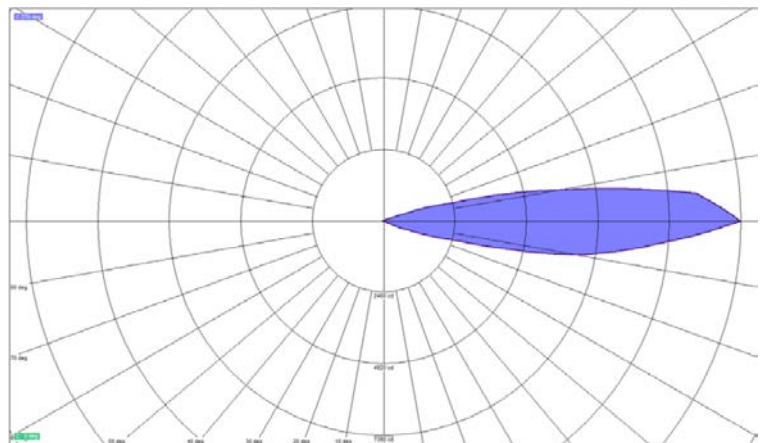
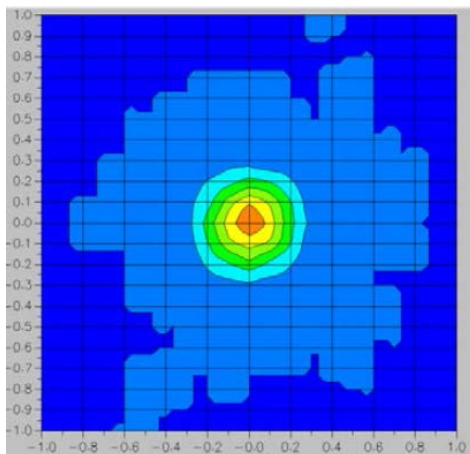
Example: **FloodLed 4400-48-N** -> FloodLed 4400, 48 to 60 VDC, NO iControl features



DRAWING:



PHOTOMETRIC DATA:



The descriptions, photometric measurements and features contained in this publication are given for information only and do not constitute an engagement for our society, which reserves the right to change them without prior notification.

