

USE: TLOF–FATO– Aiming –Point
 marking – Taxiway edges

PRODUCT SUMMARY



Design: Inset LED Light
Material: Aluminum or Stainless Steel
IP Rating: IP 67

Light Color: White, Green, Yellow, Blue,
 Red, Infrared

NVG Enhanced: Optional

Power supply: 24-60 VDC / 110-230 VAC / 6.6 A
Power: 3 Watts (green) / 12 Watts (white)
Standards: ICAO Annex 14, Vol II
Brightness ctrl.: 10%-30%-100%
LED Lifetime: > 80'000 hours

iControl Ready: Optional

DESCRIPTION:

The HFT is the 8 inches version of HFT. This product and its forefather have been produced and are used in more than 600 Helipads all around the world. It is available in a large range of colors, materials and power supplies. It is easy to install and needs no maintenance. The manufacturing quality guarantees a very long lifetime. The waterproofness has been elaborated to guarantee that no water or humidity enters into the light. A special physical barrier guarantees that no humidity can come from the connection (WatBar). This inset LED light is very robust.

The HFT is made with power LEDs, especially selected for their quality, lifetime (< 80'000 hours) and photometrical stability. Brilliancy control: 10%-30%-100%.

INFRARED (NVG ENHANCED)

Our special infrared LED light engine has a very high response on NVG units. That means, that this NVG enhanced lights will be highly amplified by the NVG. Environment and other lights are still visible with the same quality. For pilots flying without NVG, no modification is visible on the dual lighting system.

Optionally the HFT 8 "can be used with the iControl system. The electronic system integrated in the light can detect a failure and communicate with the iControl. For example: You can configure to receive an email if any light has a problem. You are able to watch the status and failure information of each light directly from a dedicated webpage. It is also possible to switch ON and regulate the system from an I phone or android mobile phone, and much more...

iControl makes the installation, flight, and maintenance easier and safer.

Visit www.aerolighting.ch/icontrol for more information about iControl



TECHNICAL DESCRIPTION:
Mechanical characteristics:

Body material:	Aluminum anodized Mineral tempered glass
Diameter:	8 inches
Height:	46 mm
Weight:	1 kg
Temperature range:	-35° to +50°
Protection Class:	IP67
Water / Humidity: Insulation	WatBar – Physical insulation between the “connection room” and the light

Optical characteristics:

Technology:	High Power LED
Light source:	Aerolighting HFT LED engine
Ccolor:	Green/White/Yellow/Blue/Red/Infrared
Intensity (White):	65 cd at 15° elevation (100%)
Horizontal output:	360°
Intensity level:	100% - 30% - 10%
LEDs Lifetime:	>80'000 hours

Electrical characteristics:

Supply Voltage:	24 to 60 Volts DC or 110 to 240 Volts AC 50/60hz or 6.6A (CCR)
Power:	3 Watts (green) / 12 Watts (white)
Brightness regulation (visible):	Intelligent control system: iControl bus -> more information LBR II 6.6 A (CCR)
Connection:	+Vdc / -Visible / -IR / -Regulation (LBR II)
Type of cable:	LBR Version: 2x 1.5mm ² / iControl version: 4x 1.5mm ²

ORDERING CODE:

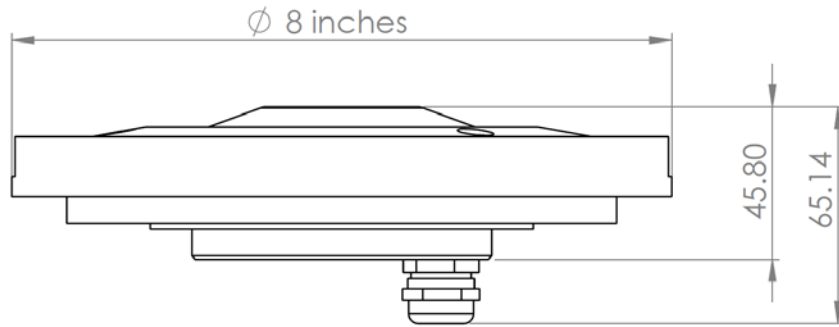
HFT8-G-AL-X-IR

Type	Color	Material	Power supply	NVG Enhanced
HFT8	-G: Green -W: White -Y: Yellow -B: Blue -R: Red -IR: Infrared (only)	-AL: Aluminum -IN: Stainless Steel	-X: iControl (intelligent) -Y: LBR (standard) -Z : 6.6 A	-IR: NVG Enhanced (with Infrared) -N: NO NVG Enhanced

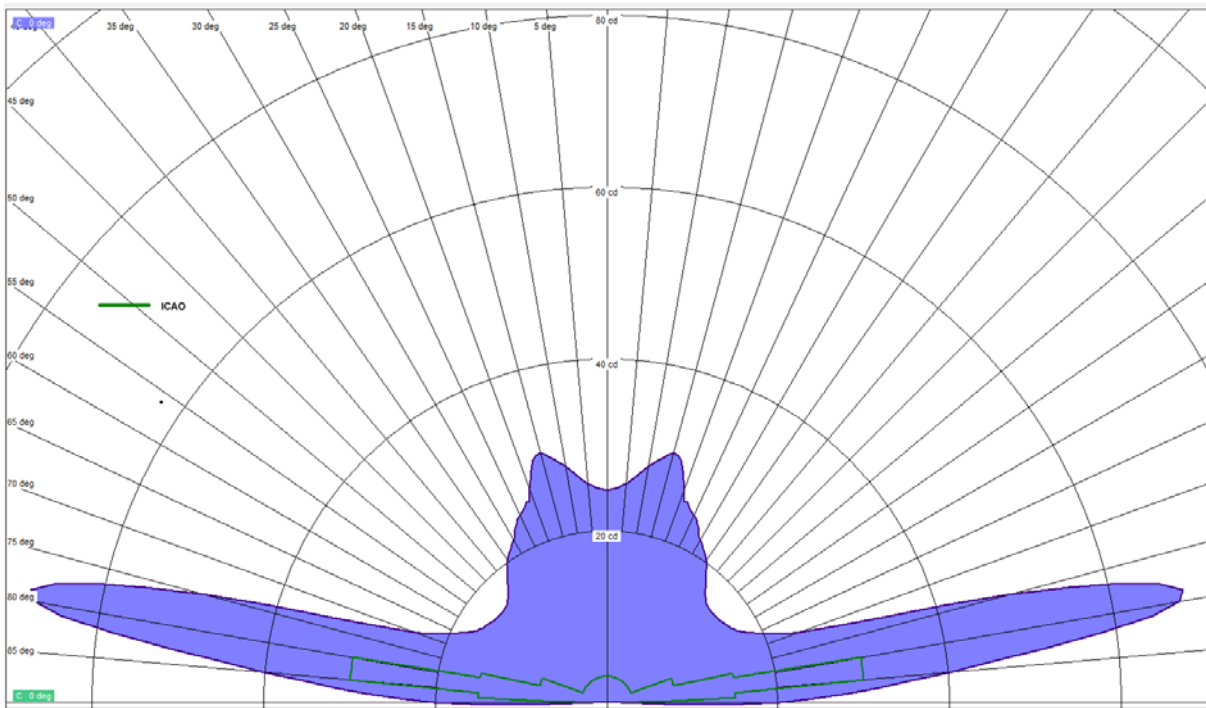
Example: **HFT8-G-AL-X-IR** ->HFT, Green, with iControl power supply, with NVG Enhanced



DRAWING:



PHOTOMETRIC DATA:



The descriptions, photometric measurements and features contained in this publication are given for information only and do not constitute an engagement for our society, which reserves the right to change them without prior notification.

